

ADO75A



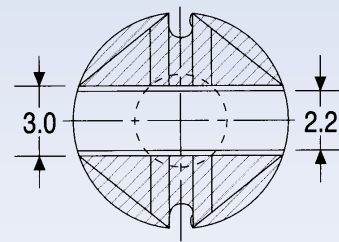
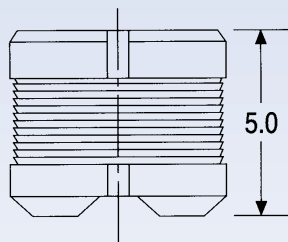
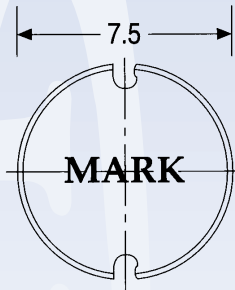
FEATURES

- Surface mountable device.
- Low Profile.
- Excellent performance & cost effective.
- Tape & Reel for auto-placement.
- Applicable for DC-DC converter.

BENEFITS

- Frequency Range: 0.1 ~ 10 MHz
- Inductance Range: 1.8 ~ 470 μ H
- Tested: * KHz and 0.05V
- Operating Temperature Range: -40°C to +85°C
- Inductance: measured by HP 4194A, impedance and gain phase analyzer.
- Inductance Drop: 10% at rated current

UNIT DIMENSION (unit: mm)

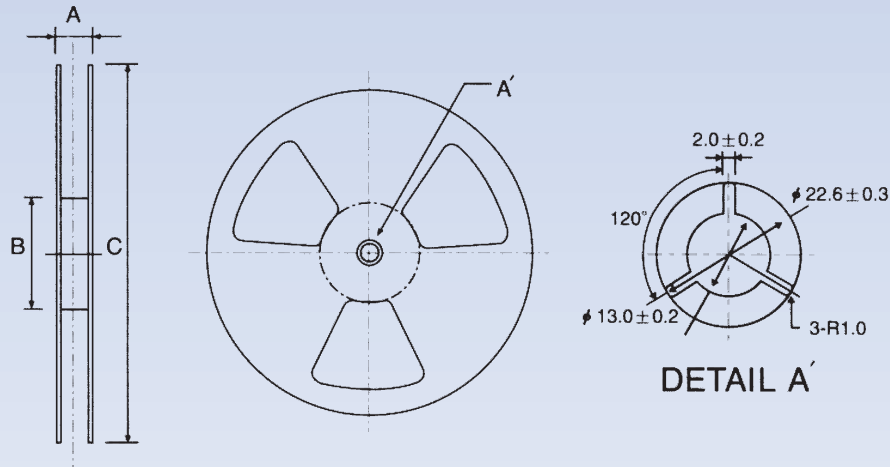


tolerance : ± 0.2

STANDARD SPECIFICATIONS

PACKAGE TYPE	INDUCTANCE (μ H)	FREQUENCY* (KHz)	DC RESISTANCE (Ω) max.	RATED CURRENT (A) max.
AD075A-182 □	1.8 $\pm 20\%$	7960	0.035	3.50
AD075A-272 □	2.7 $\pm 20\%$	7960	0.041	3.30
AD075A-472 □	4.7 $\pm 20\%$	7960	0.048	3.00
AD075A-682 □	6.8 $\pm 20\%$	7960	0.055	2.70
AD075A-822 □	8.2 $\pm 20\%$	7960	0.065	2.50
AD075A-103 □	10 $\pm 20\%$	2520	0.07	2.10
AD075A-123 □	12 $\pm 20\%$	2520	0.075	2.00
AD075A-153 □	15 $\pm 20\%$	2520	0.08	1.80
AD075A-183 □	18 $\pm 20\%$	2520	0.10	1.61
AD075A-223 □	22 $\pm 20\%$	2520	0.11	1.50
AD075A-273 □	27 $\pm 20\%$	2520	0.13	1.30
AD075A-333 □	33 $\pm 10\%$	2520	0.14	1.20
AD075A-393 □	39 $\pm 10\%$	2520	0.16	1.15
AD075A-473 □	47 $\pm 10\%$	2520	0.20	1.10
AD075A-563 □	56 $\pm 10\%$	2520	0.24	0.94
AD075A-683 □	68 $\pm 10\%$	2520	0.28	0.85
AD075A-823 □	82 $\pm 10\%$	2520	0.37	0.78
AD075A-104 □	100 $\pm 10\%$	1	0.44	0.72
AD075A-124 □	120 $\pm 10\%$	1	0.47	0.67
AD075A-154 □	150 $\pm 10\%$	1	0.64	0.58
AD075A-184 □	180 $\pm 10\%$	1	0.80	0.51
AD075A-224 □	220 $\pm 10\%$	1	0.96	0.49
AD075A-274 □	270 $\pm 10\%$	1	1.11	0.42
AD075A-334 □	330 $\pm 10\%$	1	1.26	0.40
AD075A-394 □	390 $\pm 10\%$	1	1.77	0.36
AD075A-474 □	470 $\pm 10\%$	1	1.96	0.35

Tape & Reel Specifications



XTAL

OSC

VCXO
VCOTCXO
VCTCXO

FLTR

RES

IND

SPECIFICATIONS

PACKAGE TYPE	A	B	C	D	E	F	G	H	I	J	QTY/REEL
ADO2060A	16.4	330	330	16	3.2	4	8	200	12000	400	2700
ADO1608CA	16.4	60	330	16	3	4	8	200	20000	400	2000
ADT1608CA	16.4	60	330	16	3	4	8	200	20000	400	2000
ADS1608CA	16.4	60	330	16	3	4	8	200	20000	400	2000
ADO3308PA	24.4	100	330	24	3.2	4	12	200	1800	400	1500
ADO3316PA	24.4	100	330	24	5	4	12	200	12000	400	1000
ADS3316PA	24.4	100	330	24	5	4	12	200	12000	400	1000
ADO3340PA	24.4	100	330	24	11	4	16	200	4000	400	250
ADO5022PA	32.4	330	330	32	6.9	4	24	200	7200	400	350
ADS5022PA	32.4	330	330	32	6.9	4	24	200	7200	400	350
ADO7032A	16.4	60	330	16	3.4	4	12	200	20400	400	1700
ADS127A	24.4	100	330	24	7.9	4	16	200	7200	400	450
ADS125A	24.4	100	330	24	6.1	4	16	200	10400	400	650
ADO43A	16.4	60	330	16	3.4	4	8	200	19200	400	2000
ADO54A	16.4	60	330	16	4.7	4	12	200	14400	400	1200
ADO75A	16.4	60	330	16	5.4	4	12	200	12000	400	1000
ADO105A	16.4	60	330	16	5.8	4	12	200	12000	400	1000
ADTISM-4	16.4	330	330	16	3.2	4	8	200	12000	400	2700
ADTISM-3	12.4	330	330	12	2.4	4	8	200	24000	400	3000
ADDLCSM-507I	24.4	100	330	24	5.9	4	12	200	12000	400	1500
ADDLCSM-581I	24.4	100	330	24	5.9	4	12	200	12000	400	900

INDUCTORS