

Quartz

Thru Hole

ADX Series



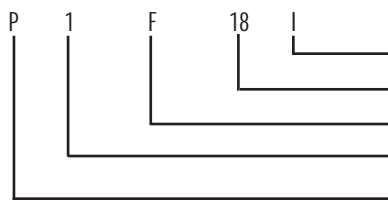
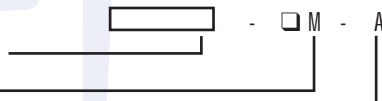
Package Type	ADXUM1 (UM-1) ADX49 (HC49/U)	pg19 pg19	ADXUM5 (UM-5) ADX49S (HC49/S)	pg19 pg20				
Frequency	MHz	M	KHz	K				
Frequency Tolerance @ 25°C	±100ppm ±50ppm ±45ppm	A B C	±40ppm ±35ppm ±30ppm	D E F	±25ppm ±20ppm ±15ppm	G H I	±10ppm ±5ppm	J K
Frequency Stability Over Temperature	±100 ppm ±50 ppm ±45 ppm	P Q R	±40 ppm ±35 ppm ±30 ppm	S T U	±25 ppm ±20 ppm ±15 ppm	V W X	±10 ppm ±5 ppm	Y Z
Operating Temperature Range	0°C to +70°C -10°C to +60°C	1 2	-20°C to +70°C -40°C to +75°C	3 4	-40°C to +85°C -40°C to +90°C	5 6	0°C to +55°C -40°C to +125°C	7 8
Operating Mode	Fundamental 3rd Overtone	F 3	5th Overtone 7th Overtone	5 7	9th Overtone	9		
Load Capacitance	6 pF 6 10 pF 10 12 pF 12	18 pF 18 20 pF 20 22 pF 22		30 pF 30 32 pF 32 50 pF 50		Series S		
Options	Third Lead	L	Insulator Tab	I	Tape & Reel	T	Vinyl Sleeving	V

EXAMPLE

PACKAGE TYPE

FREQUENCY

FREQUENCY TOLERANCE @ 25°C



OPTIONS

LOAD CAPACITANCE

OPERATING MODE

OPERATING TEMPERATURE RANGE

FREQUENCY STABILITY OVER TEMPERATURE

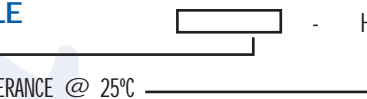
Cylindrical

Package Type	ADX26T	pg21	ADX38T	pg22	ADX310	pg23
Frequency	MHz	M	KHz	K		
Frequency Tolerance @ 25°C	±100ppm ±50ppm ±45ppm ±40ppm	A B C D	±35ppm ±30ppm ±25ppm ±20ppm	E F G H	±15ppm ±10ppm ±5ppm	I J K
Load Capacitance	6 pF	6	7 pF	7	12.5 pF	12.5
Options	Bulk	Blank	Insulator Tab	I	Tape & Reel	T

EXAMPLE

PACKAGE TYPE

FREQUENCY TOLERANCE @ 25°C



FREQUENCY

OPTIONS

LOAD CAPACITANCE

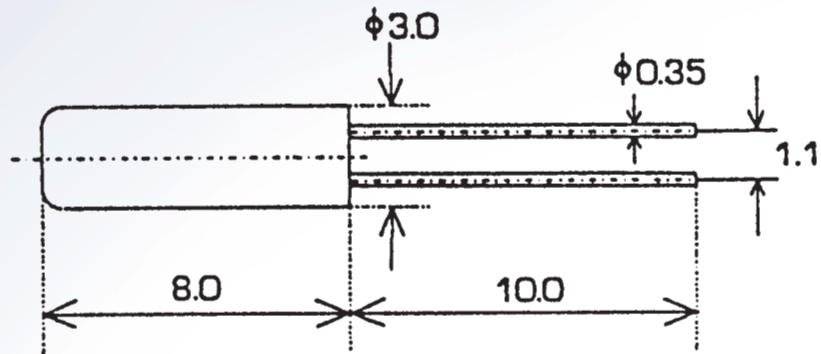
ADX38T



FEATURES

- Because of their excellent shock resistance and low power consumption, the units are ideal for portable equipment.
- Features superior characteristics indigenous to turning fork-type quartz crystal units.
- Applications: AV equipment, OA equipment, measuring instruments and various types of clocks.

UNIT DIMENSION (unit: mm)



STANDARD SPECIFICATIONS

Package Type		ADX38T
Frequency Tolerance	$\Delta f/F$	± 20 ppm
Load Capacitance	CL	12.5 pF Typical
Equivalent Series Resistance	R_s	30 k Ω max.
Oscillation Frequency	F	32.768 KHz
Quality Factor	Q	90.000 Typical
Shunt Capacitance	C_o	1.6 pF
Shock Resistance	$\Delta f/F$	± 5 ppm
Turnover Temperature	T_t	+25°C \pm 5°C
Temperature Coefficient	β	-0.035 \pm 0.034 ppm / °C ²
Capacitance Ratio	γ	460, Typical
Drive Level	P	1 μ W max.
Aging (for first year)	$\Delta f/F$	± 3 ppm max.
Insulation Resistance	IR	500 M Ω min./DC 100V
Operating Temperature Range	T_o	-10°C ~ +60°C