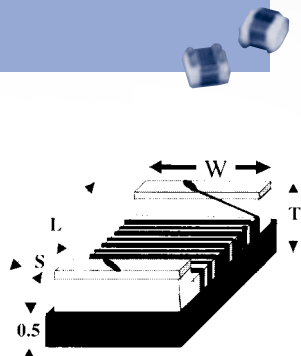


Wire Wound Chip

Surface Mount

ADWIA Series

ADWIA



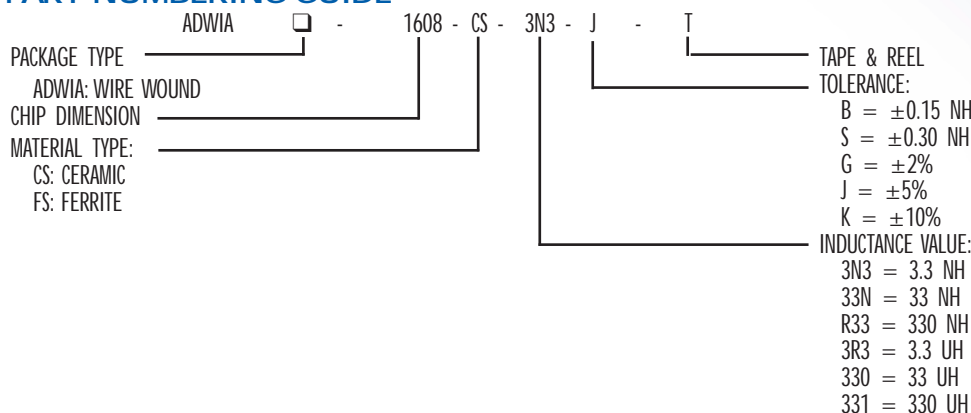
INTRODUCTION

The ADWIA series are wire wound type chip inductors widely used in the communication applications such as cellular phones, pagers, television tuners, radios, and other electronic devices. The wire wound features advance in higher self resonate frequency, better Q factor, and much stabler performance.

FEATURES

- Operating Temperature: -40°C to 85°C.
- Excellent solderability and resistance to soldering heat.
- Suitable for flow and reflow soldering.
- Good dimensions, high reliability, and easy surface mount assembly.
- 3 types of materials provide wide range of induction value for flexible needs.

PART NUMBERING GUIDE



SPECIFICATIONS

SIZE	LENGTH (L)	WIDTH (W)	THICKNESS (T)	TERMINAL (S)
	(inch) mm	(inch) mm	(inch) mm	(inch) mm
ADWIA-0603	(0.063 ± 0.008)	(0.041 ± 0.008)	(0.041 ± 0.008)	(0.014 ± 0.004)
	1.60 ± 0.2	1.05 ± 0.2	1.05 ± 0.2	0.35 ± 0.1
ADWIA-0805	(0.080 ± 0.008)	(0.050 ± 0.008)	(0.048 ± 0.008)	(0.016 ± 0.004)
	2.00 ± 0.2	1.25 ± 0.2	1.20 ± 0.2	0.40 ± 0.1
ADWIA-1008	(0.098 ± 0.008)	(0.063 ± 0.008)	(0.063 ± 0.008)	(0.020 ± 0.004)
	2.5 ± 0.2	2.00 ± 0.2	1.60 ± 0.2	0.50 ± 0.1
ADWIA-1210	(0.126 ± 0.008)	(0.098 ± 0.008)	(0.087 ± 0.008)	(0.020 ± 0.004)
	3.20 ± 0.2	2.50 ± 0.2	2.20 ± 0.2	0.50 ± 0.1

Wire Wound Chip

Surface Mount

ADWIA Ferrite Series



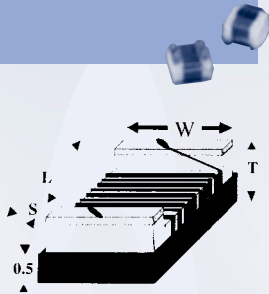
ADWIA-1008FS

INTRODUCTION

The ADWIA series are wire wound type chip inductors widely used in the communication applications such as cellular phones, pagers, television tuners, radios, and other electronic devices. The wire wound features advance in higher self resonate frequency, better Q factor, and much stabler performance.

FEATURES

- Operating Temperature: -40°C to 85°C.
- Excellent solderability and resistance to soldering heat.
- Suitable for flow and reflow soldering.
- Good dimensions, high reliability, and easy surface mount assembly.
- 3 types of materials provide wide range of induction value for flexible needs.



SPECIFICATIONS

SIZE	LENGTH (L) (inch) mm	WIDTH (W) (inch) mm	THICKNESS (T) (inch) mm	TERMINAL (S) (inch) mm
ADWIA-1008	(0.098 ± 0.008) 2.5 ± 0.2	(0.063 ± 0.008) 1.60 ± 0.2	(0.063 ± 0.008) 1.60 ± 0.2	(0.020 ± 0.004) 0.50 ± 0.1

ADWIA-1008FS (2520) SERIES STANDARD SPECIFICATIONS

PACKAGE TYPE	INDUCTANCE ¹ (uH)	PERCENT TOLERANCE	Q ² min.	S.R.F. ³ min. (MHz)	RDC ⁴ max. (Ω)	IDC ⁵ max. (mA)
ADWIA-1008FS 122 □T	1.2 @ 7.96 MHz	K,J,G	25 @ 7.96 MHz	230	1.20	230
ADWIA-1008FS 152 □T	1.5 @ 7.96 MHz	K,J,G	25 @ 7.96 MHz	182	1.30	220
ADWIA-1008FS 182 □T	1.8 @ 7.96 MHz	K,J,G	25 @ 7.96 MHz	135	1.45	210
ADWIA-1008FS 222 □T	2.2 @ 7.96 MHz	K,J,G	25 @ 7.96 MHz	105	1.55	200
ADWIA-1008FS 272 □T	2.7 @ 7.96 MHz	K,J,G	25 @ 7.96 MHz	70	1.70	195
ADWIA-1008FS 332 □T	3.3 @ 7.96 MHz	K,J,G	25 @ 7.96 MHz	55	1.90	185
ADWIA-1008FS 392 □T	3.9 @ 7.96 MHz	K,J,G	25 @ 7.96 MHz	48	2.10	180
ADWIA-1008FS 472 □T	4.7 @ 7.96 MHz	K,J,G	25 @ 7.96 MHz	43	2.30	175
ADWIA-1008FS 562 □T	5.6 @ 7.96 MHz	K,J,G	20 @ 7.96 MHz	42	2.60	170
ADWIA-1008FS 682 □T	6.8 @ 7.96 MHz	K,J,G	20 @ 7.96 MHz	39	2.80	165
ADWIA-1008FS 822 □T	8.2 @ 7.96 MHz	K,J,G	20 @ 7.96 MHz	36	3.05	160
ADWIA-1008FS 103 □T	10 @ 2.52 MHz	K,J,G	15 @ 2.52 MHz	33	3.50	155
ADWIA-1008FS 123 □T	12 @ 2.52 MHz	K,J,G	15 @ 2.52 MHz	30	3.80	150
ADWIA-1008FS 153 □T	15 @ 2.52 MHz	K,J,G	15 @ 2.52 MHz	26	4.40	140
ADWIA-1008FS 183 □T	18 @ 2.52 MHz	K,J,G	15 @ 2.52 MHz	24	4.80	130
ADWIA-1008FS 223 □T	22 @ 2.52 MHz	K,J,G	15 @ 2.52 MHz	22	5.50	125
ADWIA-1008FS 273 □T	27 @ 2.52 MHz	K,J,G	15 @ 2.52 MHz	21	6.30	115
ADWIA-1008FS 333 □T	33 @ 2.52 MHz	K,J,G	15 @ 2.52 MHz	20	7.10	110
ADWIA-1008FS 393 □T	39 @ 2.52 MHz	K,J,G	15 @ 2.52 MHz	18	9.50	90
ADWIA-1008FS 473 □T	47 @ 2.52 MHz	K,J,G	15 @ 2.52 MHz	17	12.60	80
ADWIA-1008FS 563 □T	56 @ 2.52 MHz	K,J,G	15 @ 2.52 MHz	16	13.00	75
ADWIA-1008FS 683 □T	68 @ 2.52 MHz	K,J,G	12 @ 2.52 MHz	15	16.60	70
ADWIA-1008FS 823 □T	82 @ 2.52 MHz	K,J,G	12 @ 2.52 MHz	13	19.00	65
ADWIA-1008FS 104 □T	100 @ .796 MHz	K,J,G	12 @ .796 MHz	12	21.00	60

¹Inductance is measured in HP-4291B impedance analyzer with HP-16192 fixture. ²Q is measured in HP-4291B impedance analyzer with HP-16192 fixture.

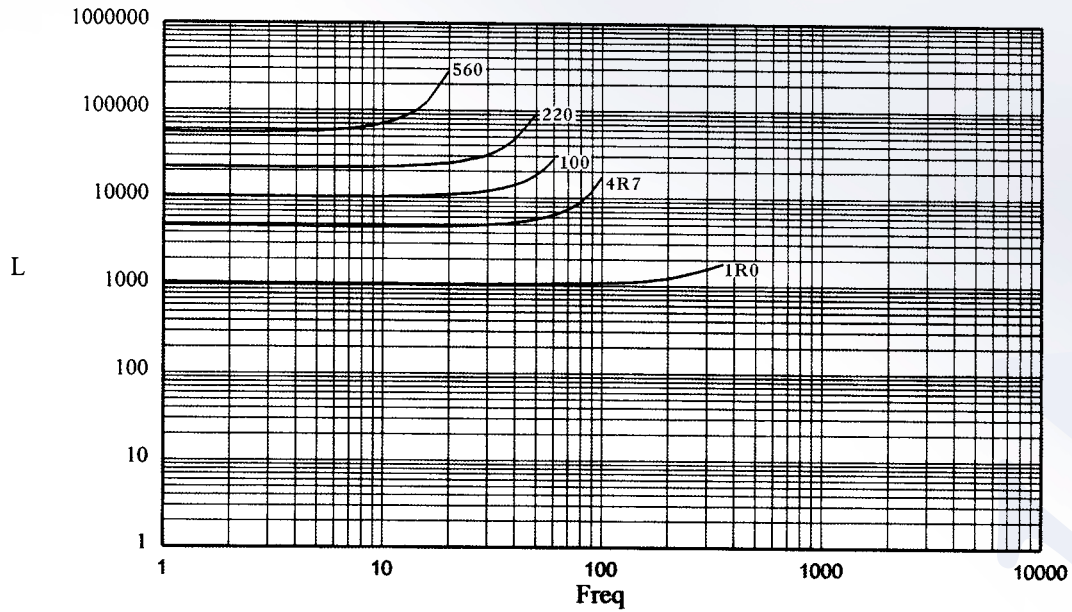
³SRF is measured in HP-8753E RF network analyzer with HP-16192 fixture. ⁴RDC is measured in HP-4338B milliohmmeter. ⁵For 15°C Rise.

Wire Wound Chip

Surface Mount

ADWIA Ferrite Series — Continued

ELECTRICAL CHARACTERISTIC
ADWIA-1008FS (2520)



ADWIA-1008FS (2520)

