



**TAC8038 Series**

**Size:** 3.15 in sq. x 1.5 in. thk  
(80mm sq. x 38mm thk.)

**Airflow:** 30 - 16 CFM

**Acoustical Noise:** 23 - 35 dB (A)

**MATERIAL:** Frame - Aluminum Alloy, Painted Black Finish  
Bearings - Sealed Ball  
Impeller - UL94V-0 Plastic

**WEIGHT:** 13 oz. (370g)

**TERMINATION:** Lead wires

**OPERATION TEMPERATURE:** -20° to +80°C

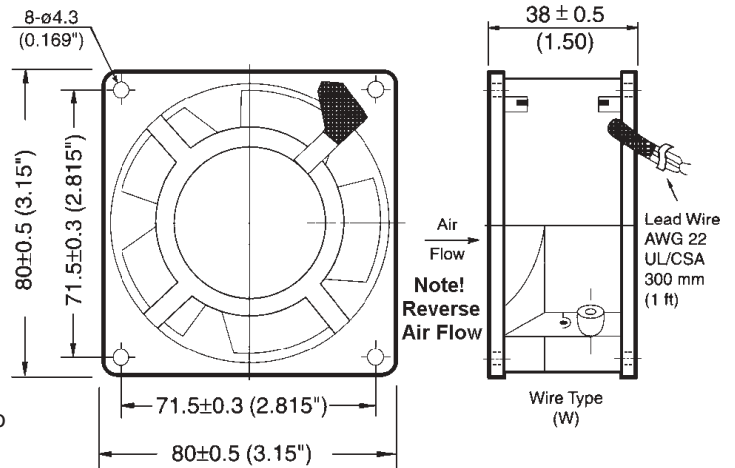
**INSULATION RESISTANCE:** 10 Megohms min @ 500 VDC

**DIELECTRIC STRENGTH:** 1,500 VAC for 1 min.

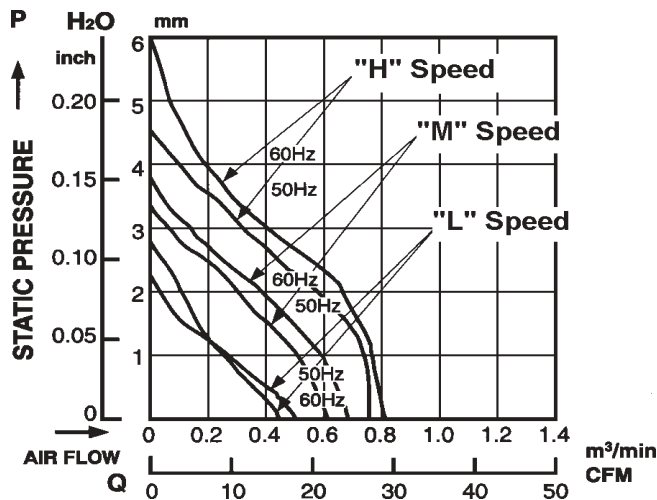
**INSULATION:** Class B

**SAFETY:** Impedance Protected

**SAFETY APPROVALS:** UL 106227 & CSA LR702499 (Applies to single voltage models only)  
CE (Applies to 230V models only)



**PERFORMANCE CURVES:** (Obtained with test chamber and methods in accordance with AMCA Std. 210-74)



**SPECIFICATIONS:** (Based on 60 Hz Frequency)

PART NUMBER	VOLTS	WATTS	mAMPS	RPM	NOISE dB (A) @ 1M	CFM
TAC8038115HW	115	12.0	120	2700	35	30
TAC8038115MW	115	9.0	100	2300	27	23
TAC8038115LW	115	5.0	60	1900	23	16
TAC8038230HW	230	12.0	80	2700	35	30
TAC8038230MW	230	9.0	60	2300	27	23
TAC8038230LW	230	5.0	40	1900	23	16
TAC8038345HW	115 / 230	12.0	120 / 80	2700	35	30

**NOTE:** Standard models with wire leads (Terminals not available)