



**U.S. TOYO  
FAN CORP.**

## USTF12038 Series AC / Ball Bearing Fans

4915 Walnut Grove Ave., San Gabriel, CA 91776  
(626) 287-5297  
E-mail: sales@ustoyofan.com

FAX (626) 287-7350  
www.ustoyofan.com

### USTF12038 Series

**Size:** 4.69 in sq. x 1.5 in. thk.  
(119mm sq. x 38mm thk.)

**Airflow:** 54 - 112 CFM

**Acoustical Noise:** 28 - 41 dB (A)

**MATERIAL:** Frame - Aluminum Alloy, Painted Black Finish  
Bearings - Sealed Ball  
Impeller - UL94V-0 Plastic

**WEIGHT:** 20 oz. (500g)

**TERMINATION:** Terminals standard (Lead Wires on request)

**OPERATION TEMPERATURE:** -40° to +70° C

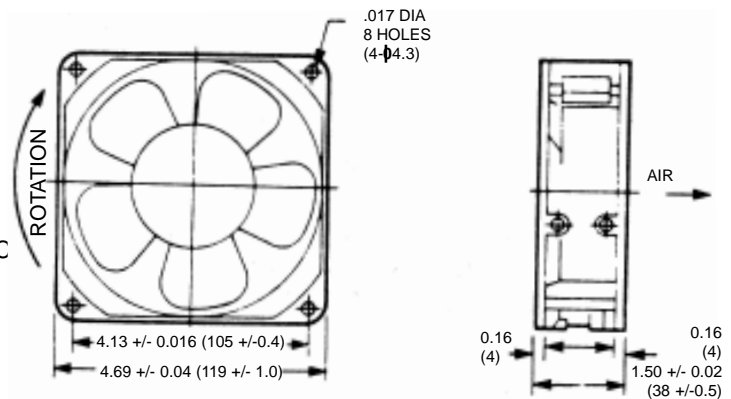
**INSULATION RESISTANCE:** 100,000 Ohms min @ 500 VDC

**DIELECTRIC STRENGTH:** 500 VAC for 1 min.

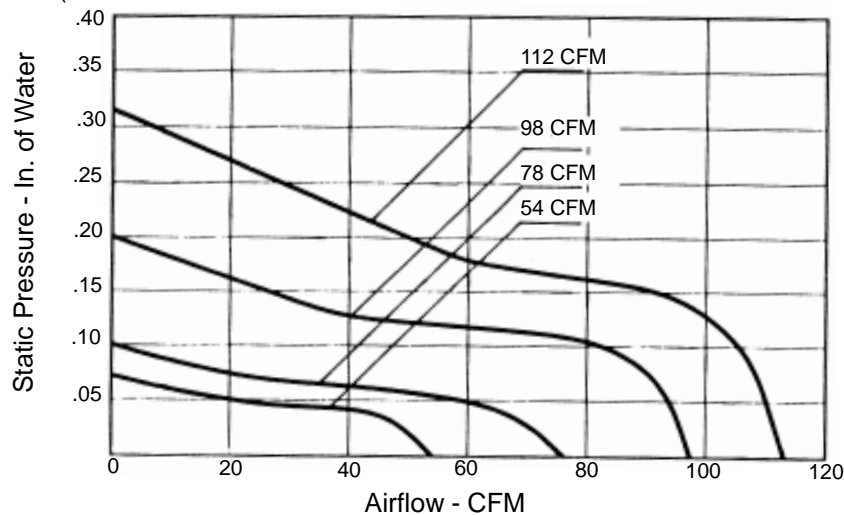
**INSULATION:** Class A

**SAFTEY:** Impedance Protected

**SAFTEY APPROVALS:** UL No. E1065227, CSA No. 073720, VDE No. 16599



### PERFORMANCE CURVES: (Obtained with test chamber and methods in accordance with AMCA Std. 210-74)



### SPECIFICATIONS: (Based on 60 Hz Frequency)

| PART NUMBER    | VOLTS | WATTS | mAMPS | RPM  | NOISE dB (A) @ 1M | CFM |
|----------------|-------|-------|-------|------|-------------------|-----|
| USTF120381155T | 115   | 14.0  | 210   | 2900 | 41                | 112 |
| USTF120381153T | 115   | 10.0  | 140   | 2600 | 37                | 98  |
| USTF120381152T | 115   | 7.0   | 100   | 1950 | 30                | 76  |
| USTF120381151T | 115   | 5.5   | 80    | 1450 | 28                | 54  |
| USTF120382305T | 230   | 14.0  | 110   | 2900 | 41                | 112 |
| USTF120382303T | 230   | 11.0  | 80    | 2600 | 37                | 98  |
| USTF120382302T | 230   | 7.5   | 60    | 1950 | 30                | 76  |
| USTF120382301T | 230   | 6.0   | 45    | 1450 | 28                | 54  |

NOTE: Standard models with Terminals. Lead Wires available on request.