



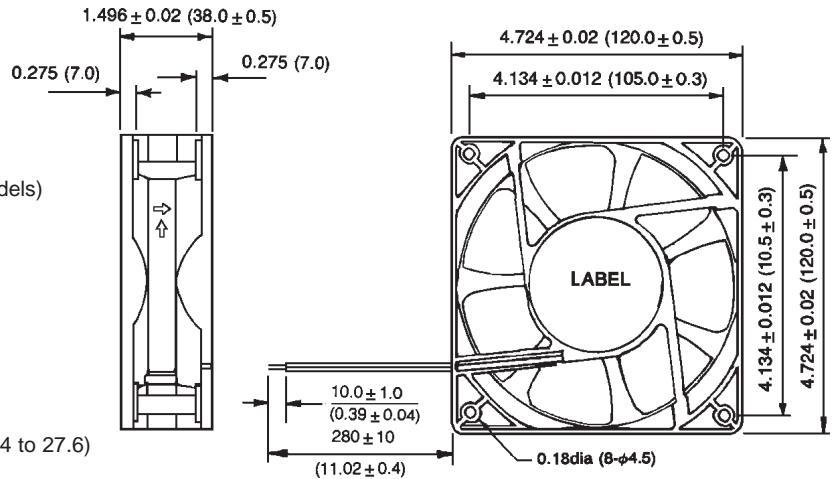
**USTF12038 Series**

**Size:** 4.72 in sq. x 1.5 in. thk  
(120mm sq. x 38mm thk.)

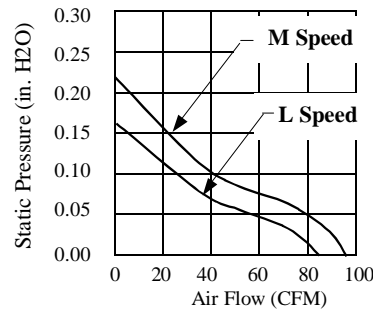
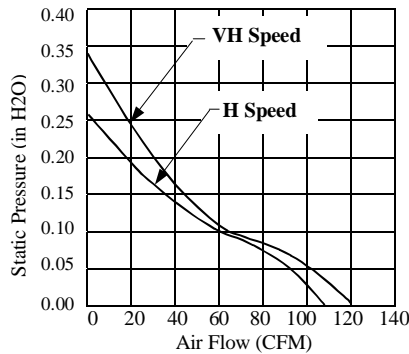
**Airflow:** 85 - 120 CFM

**Acoustical Noise:** 34 - 44.5 dB (A)

- MATERIAL:** Frame - Black PBT (UL 94V-0)  
Bearings - Ball  
Impeller - Black PBT (UL 94V-0)
- WEIGHT:** 9.1 oz. (258g)
- TERMINATION:** Lead Wires (UL 1007, AWG24)
- OPERATING TEMPERATURE:** -10° to +70°C (+60° on "H" models)
- INSULATION RESISTANCE:** 10 megohms min @ 500 VDC
- DIELECTRIC STRENGTH:** 500 VAC for 1 min.
- INSULATION:** Class A
- SAFTEY:** Impedance & Polarity Protected
- SAFTEY APPROVALS:** UL, CSA & VDE
- OPERATING VOLTAGE:** 12 VDC (6 to 13.8) - 24 VDC (14 to 27.6)  
48 VDC (38 to 56)



**PERFORMANCE CURVES:** (Obtained with test chamber and methods in accordance with AMCA Std. 210-74)



**SPECIFICATIONS:** (All values are typical)

PART NUMBER	VOLTS	WATTS	AMPS	RPM	NOISE dB (A) @ 1M	CFM
USTF1203812VHW	12VDC	8.52	0.71	2800	44.5	120
USTF1203812HW	12VDC	7.20	0.60	2520	41.3	108
USTF1203812MW	12VDC	3.84	0.32	2240	37.6	96
USTF1203812LW	12VDC	2.76	0.23	1950	34.4	85
USTF1203824VHW	24VDC	9.12	0.38	2800	44.5	120
USTF1203824HW	24VDC	7.68	0.32	2520	41.3	108
USTF1203824MW	24VDC	5.76	0.24	2240	37.6	96
USTF1203824LW	24VDC	4.32	0.16	1950	34.4	85
USTF1203848HW	48VDC	6.24	0.13	2520	41.3	108
USTF1203848MW	48VDC	4.32	0.09	2240	37.6	96
USTF1203848LW	48VDC	2.88	0.06	1950	34.4	85

MODELS AVAILABLE ON REQUEST:

Failure Detector - rotation sensing - Add Suffix "SR" to part number  
Speed Controller - tach output - Add Suffix "SF" to part number