

Y08 Series (Two Electrode)

Note :

1. Insulation Resistance shall be measured with the following voltages for each nominal DC Sparkover Voltage.

Nominal DC Sparkover Voltage	Measuring Voltage
1,000V	DC 250V
1,500~2,100V	DC 500V
2,400~6,000V	DC 1,000V

2. Measured with an 8/20 μ s, 100A impulse.

3. Repeat 10 times for each polarity.

4. All UL Approved Part Number Models are Recognized under **UL1449, File Number E96234**

5. **Y08SV-272B** is also Recognized under **UL1414, File Number E165829.**

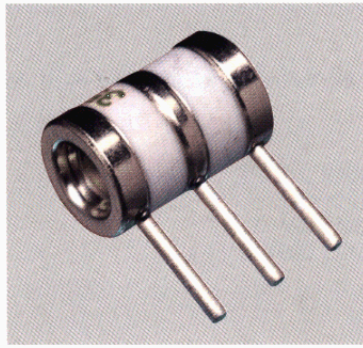
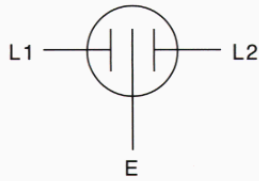
Y08-242B	Y08-302B	Y08-402B	Y08-602B		
Y-242B	Y-302B	Y-402B	Y-602B	Y08SV-262B	Y08SV-272B
8.5±0.3	8.5±0.3	8.5±0.3	13.0±0.3	8.8±0.3	8.8±0.3
1.5	1.5	1.5	1.9	1.6	1.6

2,400V±20%	3,000V±20%	4,000V±20%	6,000V±20%	2,400 ~ 2,860V at 5kV/s	2,340 ~ 2,970V at 5kV/s
≤ 3,000V	≤ 4,000V	≤ 5,000V	≤ 8,000V	≤ 3,700V	≤ 3,700V
≥ 10,000MΩ	≥ 10,000MΩ	≥ 10,000MΩ	≥ 10,000MΩ	≥ 100MΩ	≥ 100MΩ
≤ 1.0pF	≤ 1.0pF	≤ 1.0pF	≤ 1.0pF	≤ 1.0pF	≤ 1.0pF
10 times	10 times	10 times	10 times	300 times See Note 2	300 times See Note 2
10kA	10kA	10kA	10kA	N/A	N/A
3kA	1kA	1kA	1kA	3kA See Note 3	3kA See Note 3
5A	5A	5A	5A	N/A	N/A
1A	1A	1A	1A	N/A	N/A

3YVJ Series (Three Electrode)

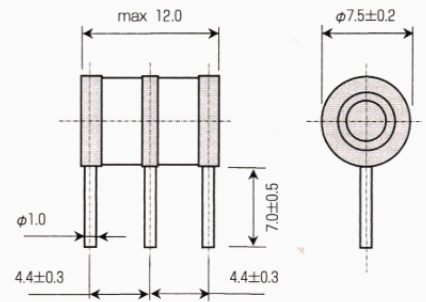
3J Series (UL Approved)

Symbol



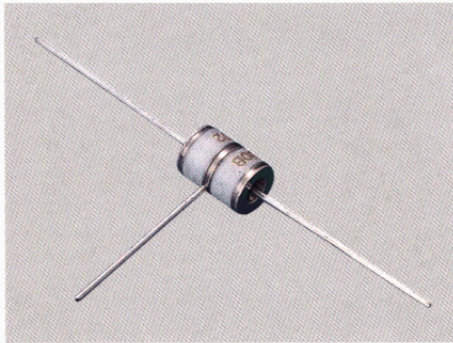
Model J1

Fig.1



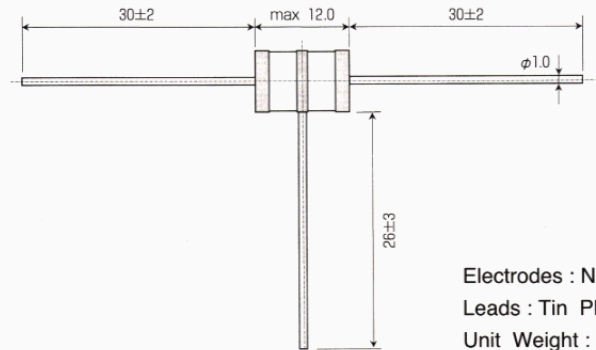
Electrodes : Nickel Plated
Leads : Tin Plated
Unit Weight : 2.8g

Units : mm



Model B

Fig.2



Electrodes : Nickel Plated
Leads : Tin Plated
Unit Weight : 2.8g

Units : mm

Part Number	Standard Part Number	Lead configuration : J1	See Fig. 1		3YVJ-90J1	3YVJ-145J1
		Fail-Safe Model : J1F2	See Fig. 3	With Fail-Safe (See Note 4)	3YVJ-90J1F2	3YVJ-145J1F2
		Lead configuration : B	See Fig. 2		3YVJ-90B	3YVJ-145B
	UL Approved Part Number (See Note 3)	Lead configuration : B	See Fig. 2		3J-1B	3J-2B
		Lead configuration : J1	See Fig. 1		3J-1J1	3J-2J1

DC Sparkover Voltage (L1-E)(L2-E)	100V/s	90V ± 20%	145V ± 20%
Impulse Sparkover Voltage (L1-E)(L2-E)	100V/μs	≤ 700V	≤ 700V
	1kV/μs	≤ 850V	≤ 850V
Insulation Resistance	See Note 1	≥ 10,000MΩ	≥ 10,000MΩ
Capacitance	1MHz	≤ 3.0pF	≤ 3.0pF
DC Holdover Voltage	See Note 2	≤ 52V	≤ 52V
Impulse Life (L1+L2-E)	10/1000 μs, 400A	300 times	300 times
Impulse Discharge Current, 8/20 μs (L1+L2-E)	Single	20kA	20kA
	Repeat 10 times (5 times each polarity)	10kA	10kA
AC Discharge Current, 50Hz (L1+L2-E)	Single (9 Cycles)	130A	130A
	Repeat 10 times (1 second)	10A	10A

