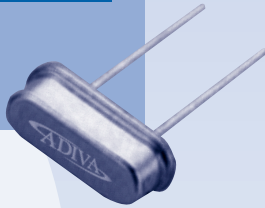


### ADX49SS & ADX49SSI

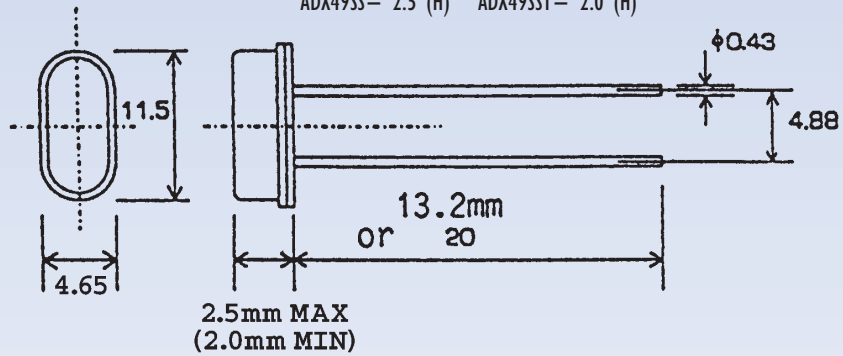


#### FEATURES

- The ADX-49SS & ADX-49SSI is a high-performance miniature crystal unit manufactured with ultrahigh-precision processing technology.
- Excellent vibration resistance, shock resistance and environmental characteristics.
- Applications: AV equipment, OA equipment, communication equipment and measuring instruments.

#### UNIT DIMENSION (unit: mm)

ADX49SS= 2.5 (H) ADX49SSI= 2.0 (H)



#### STANDARD SPECIFICATIONS

Package Type		ADX49SS and ADX49SSI
Frequency Range (Fundamental)		3.200 ~ 30.000 MHz
Frequency Range (3rd Overtone)		30.000 ~ 60.000 MHz
Frequency Tolerance		±20 ppm, ±30 ppm, ±50 ppm at 25°C
Load Capacitance	C	Series, 6 pF, 12 pF, 20 pF (Special request available)
Shunt Capacitance	Co	7.0 pF max. (Special request available)
Drive Level	P	15 μW, 30 μW, 100 μW, 500 μW (Special request available)
Aging	# f/F	±3 ppm, ±5 ppm/year

#### FREQUENCY STABILITY v OPERATING TEMP.

OPERATING TEMPERATURE	FREQUENCY STABILITY (± ppm)			
	10	20	30	50
Range				
0 ~ 50°C	*	*	*	*
-10 ~ 60°C	*	*	*	*
-20 ~ 70°C		*	*	*

\*Denotes Availability (Reference to 25°C)

#### EQUIVALENT SERIES RESISTANCE (E.S.R.)

Frequency (MHz)	Vibration Code	E.S.R. max.
3.2 ~ 3.9	Fundamental	180Ω
4.0 ~ 4.9	Fundamental	150 Ω
5.0 ~ 5.9	Fundamental	120 Ω
6.0 ~ 7.9	Fundamental	100 Ω
8.0 ~ 9.9	Fundamental	80 Ω
10.0 ~ 11.9	Fundamental	70 Ω
12.0 ~ 19.9	Fundamental	60 Ω
20.0 ~ 29.9	Fundamental	50 Ω
30.0 ~ 39.9	3rd Overtone	100 Ω
40.0 ~ 60.0	3rd Overtone	80 Ω

# Quartz Part Numbering Guide

Thru Hole

ADX Series

OSC

VCXO  
VCO

TCXO  
VCTCXO

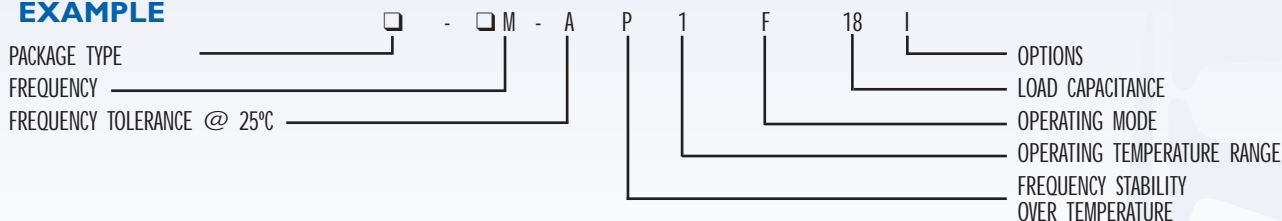
FLTR

RES

IND

<b>Package Type</b>	UM-1	ADXUM1	pg34	HC42/U	ADX42	pg34	HC49/U	ADX49	pg34	HC49/T	ADX49T	pg36
	UM-2	ADXUM2	pg34	HC43/U	ADX43	pg34	HC49/S	ADX49S	pg35	HC50/U	ADX50	pg36
	UM-5	ADXUM5	pg34	HC47/U	ADX47	pg34	HC49/SS	ADX49SS	pg36	HC50/T	ADX50T	pg36
	HC36/U	ADX36	pg34	HC48/U	ADX48	pg34	HC49/SS	ADX49SS1	pg36			
<b>Frequency</b>	MHz		M	KHz		K						
<b>Frequency Tolerance @ 25°C</b>	±100ppm		A	±40ppm		D	±25ppm		G	±10ppm		J
	±50ppm		B	±35ppm		E	±20ppm		H	±5ppm		K
	±45ppm		C	±30ppm		F	±15ppm		I			
<b>Frequency Stability Over Temperature</b>	±100 ppm		P	±40 ppm		S	±25 ppm		V	±10 ppm		Y
	±50 ppm		Q	±35 ppm		T	±20 ppm		W	±5 ppm		Z
	±45 ppm		R	±30 ppm		U	±15 ppm		X			
<b>Operating Temperature Range</b>	0°C to +70°C		1	-20°C to +70°C		3	-40°C to +85°C		5	0°C to +55°C		7
	-10°C to +60°C		2	-40°C to +75°C		4	-40°C to +90°C		6	-40°C to +125°C		8
<b>Operating Mode</b>	Fundamental		F	5th Overtone		5	9th Overtone		9			
	3rd Overtone		3	7th Overtone		7						
<b>Load Capacitance</b>	6 pF	6	18 pF		18	30 pF	30	Series		S		
	10 pF	10	20 pF		20	32 pF	32					
	12 pF	12	22 pF		22	50 pF	50					
<b>Options</b>	Third Lead		L	Insulator Tab		I	Tape & Reel		T	Vinyl Sleeving		V

**EXAMPLE**



Package Type	ADX26T	pg37		ADX309	pg39	
	ADX38T	pg38		ADX310	pg39	
Frequency	MHz		M	KHz		K
Frequency Tolerance @ 25 C	±100ppm		A	±35ppm		E
	±50ppm		B	±30ppm		F
	±45ppm		C	±25ppm		G
	±40ppm		D	±20ppm		H
Load Capacitance	6pF	6	7pF	7	12.5pF	12.5
Option	Bulk	Blank	Tape & Reel	T		

