

# Quartz Part Numbering Guide

Surface Mount

ADXSM Series

<b>Package Type</b>	ADXSM-351 ADXSM-364 ADXSM-365	pg9 pg10 pg11	ADXSM-463 ADXSM-481 ADXSM-571	pg12 pg13 pg14	ADXSM-572 ADX49SM ADX49SSM	pg15 pg16 pg16	ADX49SMP ADX49SMPI	pg17 pg17
<b>Frequency Tolerance @ 25°C</b>	±100ppm ±50ppm ±45ppm	A B C	±40ppm ±35ppm ±30ppm	D E F	±25ppm ±20ppm ±15ppm	G H I	±10ppm ±5ppm	J K
<b>Frequency Stability Over Temperature</b>	±100 ppm ±50 ppm ±45 ppm ±40 ppm	P Q R S	±35 ppm ±30 ppm ±25 ppm ±20 ppm	T U V W	±15 ppm ±10 ppm ±7.5 ppm ±5 ppm	X Y YY Z	±4 ppm ±3 ppm	ZZ ZY
<b>Operating Temperature Range</b>	0°C to +70°C -10°C to +60°C -20°C to +70°C -40°C to +75°C	1 2 3 4	-40°C to +85°C -40°C to +90°C 0°C to +55°C -40°C to +125°C	5 6 7 8	0°C to +50°C -10°C to +50°C -10°C to +70°C -30°C to +75°C	9 10 11 12	-30°C to +80°C -35°C to +80°C	13 14
<b>Operating Mode</b>	Fundamental 3rd Overtone	F 3	5th Overtone 7th Overtone	5 7	9th Overtone	9		
<b>Load Capacitance</b>	6 pF 6 10 pF 10 12 pF 12		15 pF 15 16 pF 16 18 pF 18		20 pF 20 22 pF 22 30 pF 30		32 pF 32 50 pF 50 Series S	
<b>Options</b>	Bulk Blank		Insulator Tab	I	Tape & Reel	T		
<b>Frequency</b>	MHz	M	KHz	K				

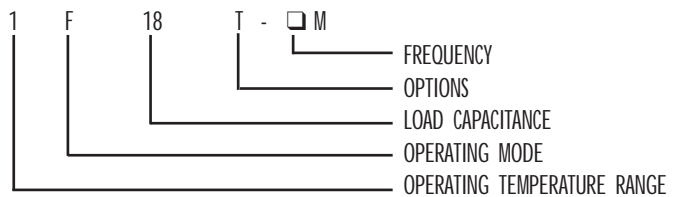
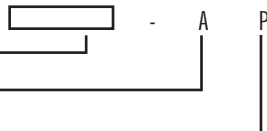
## EXAMPLE

PACKAGE TYPE

FREQUENCY TOLERANCE @ 25°C

FREQUENCY STABILITY

OVER TEMPERATURE



## Quartz

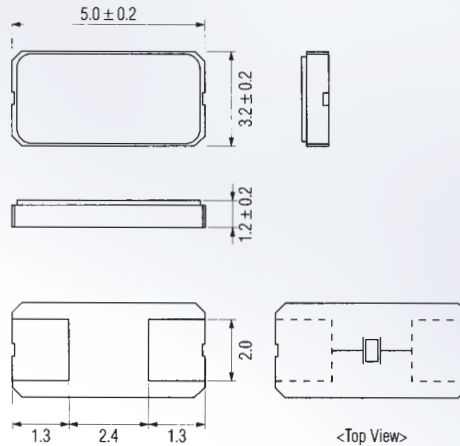
Surface Mount

ADXSM-350 Series (351)

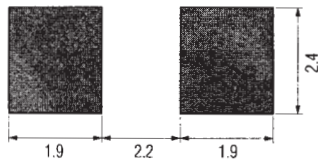
## ADXSM-351



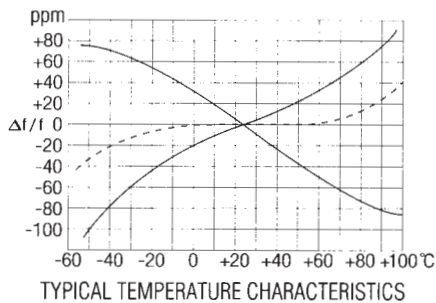
## UNIT DIMENSION (unit: mm)



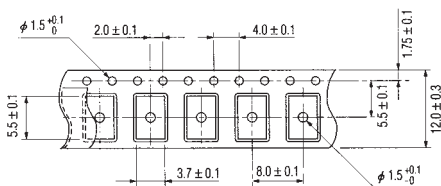
## SOLDERING PATTERN



## AT-CUT



## TAPE SPECIFICATIONS



1000pcs. per reel (178mm dia.)

## PACKAGE DATA

Item / Package	ADXSM-351
LID	Ceramic
BASE	Ceramic
SEALING	Glass-frit/Resin
TERMINAL PLATING	Gold

## STANDARD SPECIFICATIONS

Package Type		ADXSM-351
Frequency Range	F	14.300 MHz to 40.000 MHz
Calibration Tolerance		±50 ppm at +25°C ±3°C
Temperature Stability (at +25°C)		±50 ppm over -10°C to +60°C
Load Capacitance	Cl	16 pF
Shunt Capacitance	Co	5 pF max.
Drive Level	P	100 μW max.
Aging	Δ f/F	±5 ppm max. at +25°C ±3°C per year
Cut		AT-Cut
Reflow Soldering Condition		10 seconds max. at +235°C ±5°C

SEE PAGE 8 FOR PART NUMBERING GUIDE