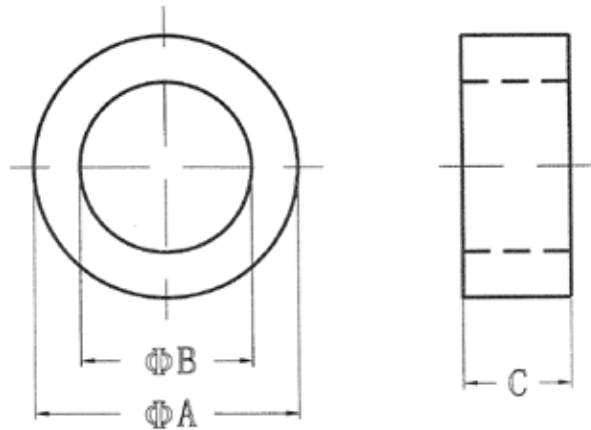


## TOROIDAL CORES



TYPE		H5 × 3 × 2	H10 × 6 × 5	H30 × 18 × 5	H50 × 30 × 15	H60 × 30 × 18
DIMENSIONS (mm)	A	5.0 ± 0.4	10.0 ± 0.4	30.0 ± 0.6	50 ± 1.0	60 ± 1.0
	B	3.0 ± 0.3	6.0 ± 0.3	18 ± 0.5	30 ± 0.5	30 ± 0.5
	C	2.0 ± 0.3	5.0 ± 0.3	5.0 ± 0.3	15 ± 0.5	18 ± 0.5
CORE FACTOR	$C_1(\text{mm}^{-1})$	6.28	2.51	2.5	0.84	0.52
EFFECTIVE LENGTH	$l_e(\text{mm})$	12.6	25	75	126	141
EFFECTIVE AREA	$A_e(\text{mm}^2)$	2.00	10	30	150	270
EFFECTIVE VOLUME	$V_e(\text{mm}^3)$	25	251	2261	18840	38151
APPROX WEIGHT	W(g)	0.13	1.26	11	94	191
$A_L$ VALUE ( $nH \pm 25\%$ )	JF30	6	15			
	JF60	12	30			
	JR100A	20				
	JF300				450	600
	JF500	100	250	260		